

Emergency stop with 2 positive opening

contacts in a 42mm enclosure

E-Stop 42 2NC M12(5)
with M12 connection
5-pole
Emergency-Stop button
2 NC (positively-opening)

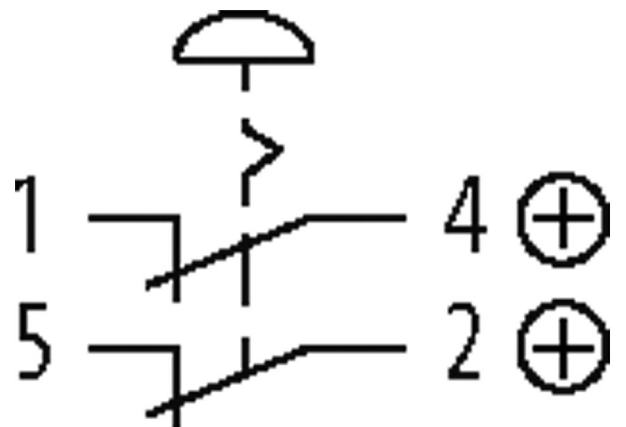
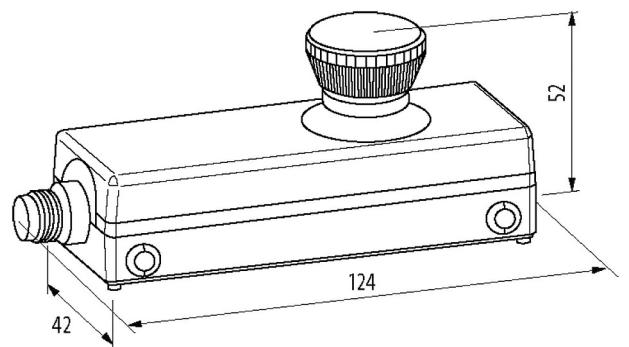
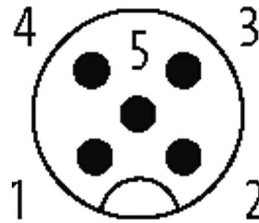
Illustration

stay connected



Male

- PIN 1: N/C 1
- PIN 2: N/C 2
- PIN 3: n.c.
- PIN 4: N/C 1
- PIN 5: N/C 2



Product may differ from Image

Approvals



Contact Layout

| | |
|-------|-------|
| PIN 1 | N/C 1 |
| PIN 2 | N/O 2 |
| PIN 3 | n.c. |
| PIN 4 | N/C 1 |
| PIN 5 | N/O 2 |

General data

| | |
|--------------------|-------------------------------------------------|
| Mech./ elect. life | 50 000 actuations, load-temperature dependent |
| Lambda (d) | 20% (N/C) |
| B10d | 250 000 |
| Material (contact) | Ag Ni |
| Protection | IP65 |
| Connection | M12 (5-pole) |
| Mounting method | with clip on back |
| Dimensions H×W×D | 52×124×42 mm |
| Temperature range | -25...+70 °C (storage temperature -25...+85 °C) |

Technical Data

| | |
|---------------------|------------|
| Operating voltage | 24 V AC/DC |
| Contact bounce time | max. 10 ms |
| Operating current | 2 A |

Commercial data

| | |
|-----------------------|---------------|
| country of origin | DE |
| customs tariff number | 85365080 |
| EAN | 4048879594202 |
| eClass | 27371244 |
| Packaging unit | 1 |